

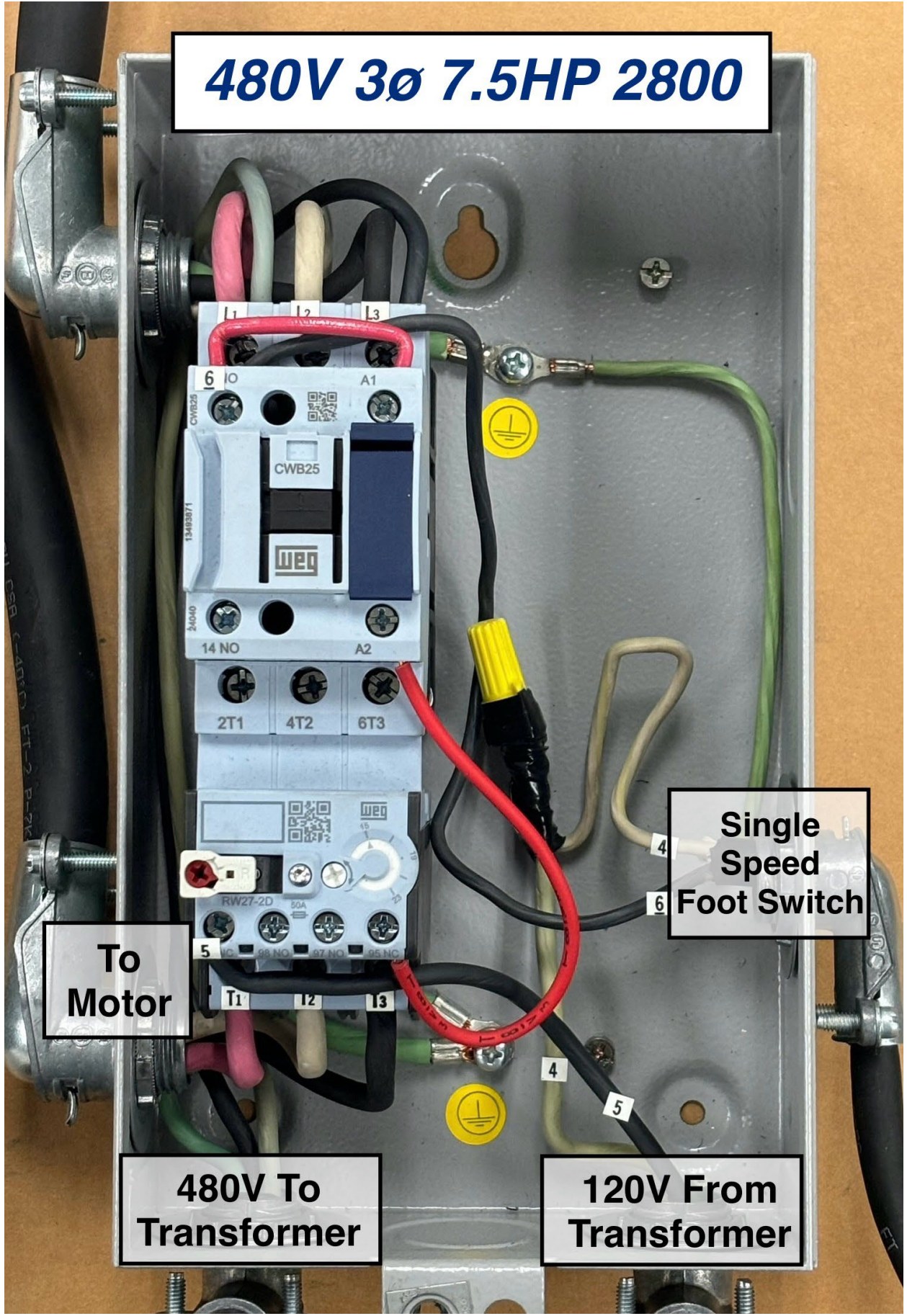
**480V 3 $\phi$  7.5HP 2800**

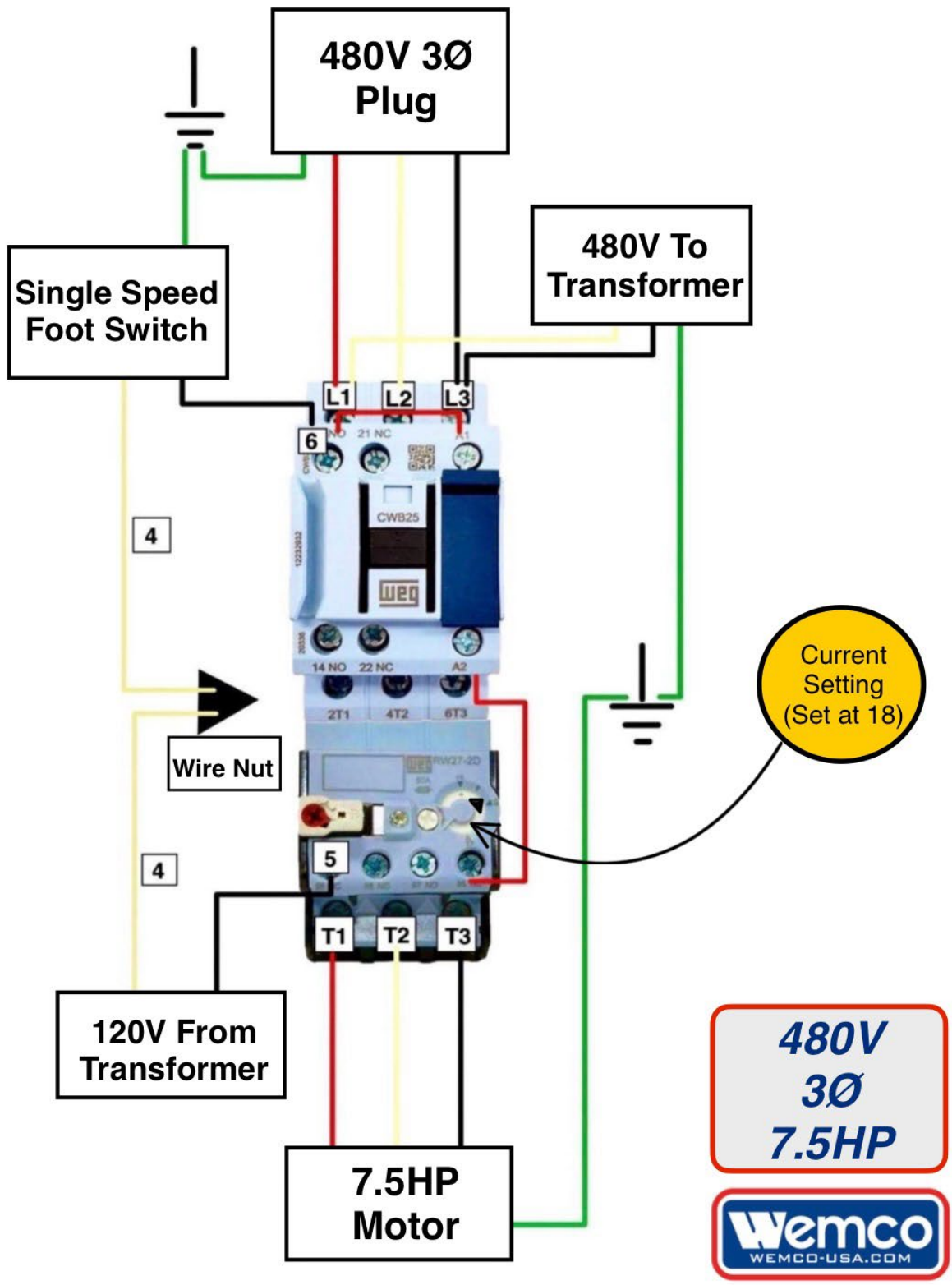
**To  
Motor**

**480V To  
Transformer**

**120V From  
Transformer**

**Single  
Speed  
Foot Switch**





Single Speed Foot Switch

480V 3Ø Plug

480V To Transformer

Current Setting (Set at 18)

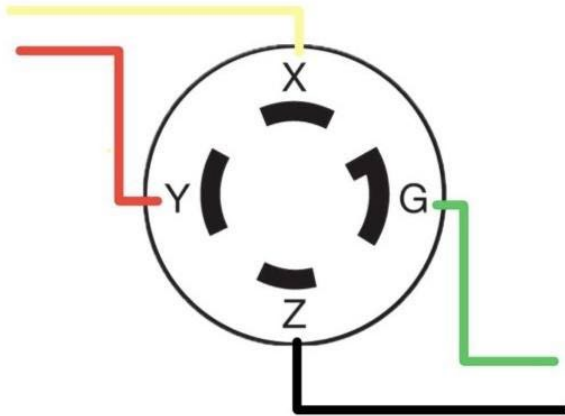
120V From Transformer

7.5HP Motor

480V 3Ø 7.5HP

Wemco WEMCO-USA.COM

## Wiring For Baldor Motors

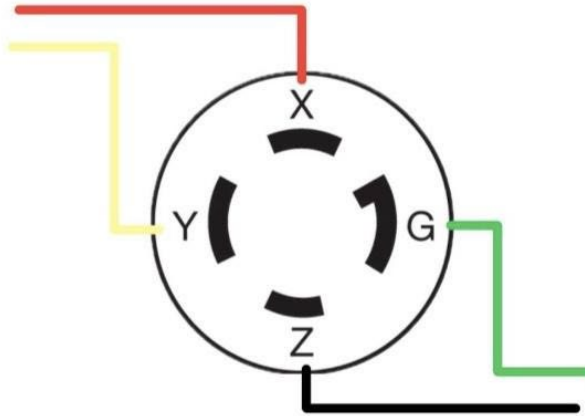


- X - WHITE
- Y - RED
- Z - BLACK
- G - GROUND

30A 3 $\phi$   
480V  
NEMA L-16 30P



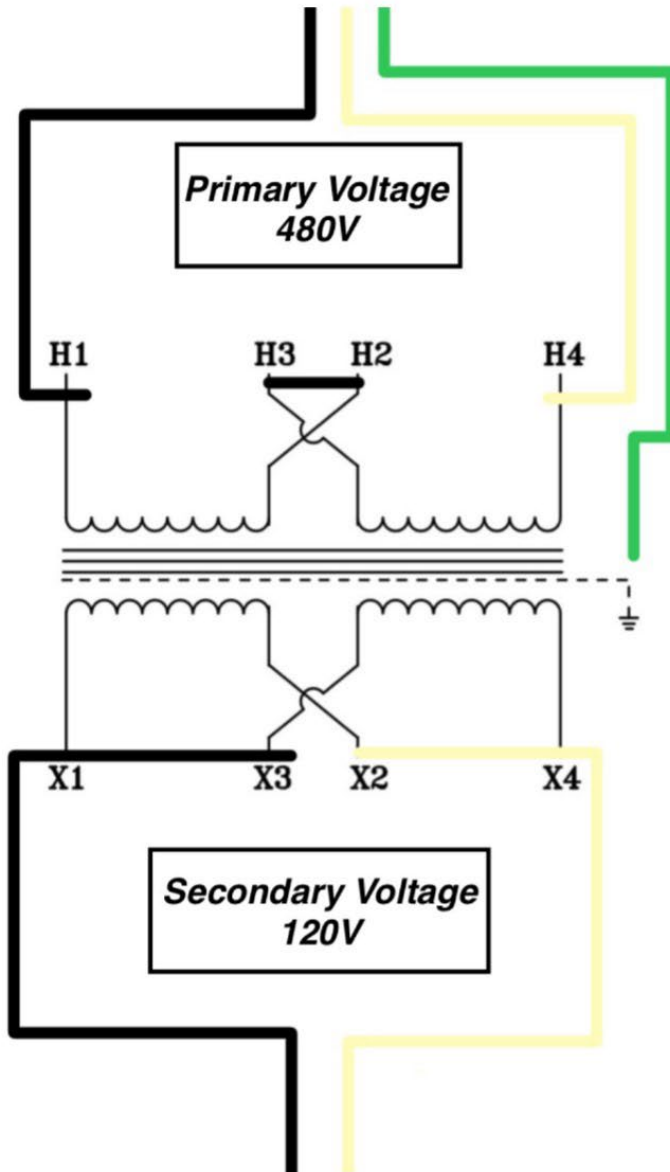
## Wiring For Westinghouse Motors



- X - RED
- Y - WHITE
- Z - BLACK
- G - GROUND

30A 3 $\phi$   
480V  
NEMA L16-30P





**0.25 KVA  
60 HZ  
1 $\phi$   
Transformer**

